

SUPERIOR SEAL · CUSTOM OFFERINGS

Specialty Doors

- Unique door deflector panel blocks material from accumulating on the door frame
- Grease fitting on pinned hinges for no play or locking up
- Door seals are hidden in a protected groove for long-lasting service
- Ergonomic cam-action and never-seize closing latches with adjustable tension
- Easy-to-install cut hole and bolt on
- Mild steel construction with outlined deflector pan, painted safety yellow
- Single or double access door styles
- Mild or stainless steel options



APPLICATIONS

- Mixers
- Blenders
- Vessels
- Chutes
- Belt Conveyors
- Screw Conveyors
- Enclosures
- Crushers



Full-Sized Access Doors

FOR LARGER ENTRANCES

- Full-sized entrance doors
- Grease fitting on pinned hinges for no play or locking up
- Door seals are hidden in a protected groove for long-lasting service
- Mild steel construction with outlined deflector pan, painted safety yellow
- Custom-sized access door styles to meet your needs
- Mild or stainless steel options



BEFORE



AFTER

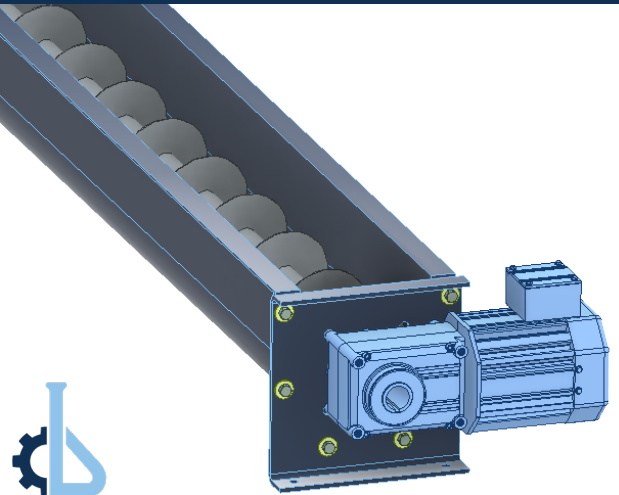
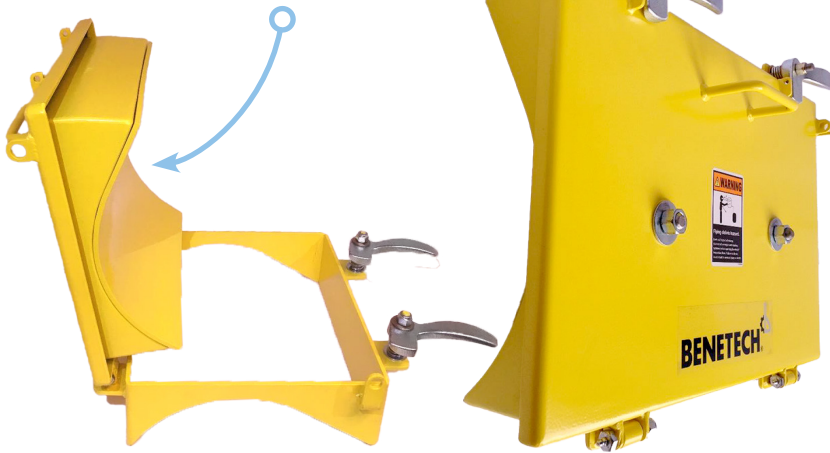
SUPERIOR SEAL • ZERO LEAKAGE

Screw Conveyor Doors

We custom design our screw conveyor doors to seal flush with the adjoining curved surface. Benetech's innovative deflector panel keeps flowing material from accumulating on the door's seal.

Quick, trouble-free access without the spillage. Super easy to install – perform a simple cut and weld or bolt on process.

Our U-shaped structure provides full control of buildup while notably reducing housekeeping and maintenance time.

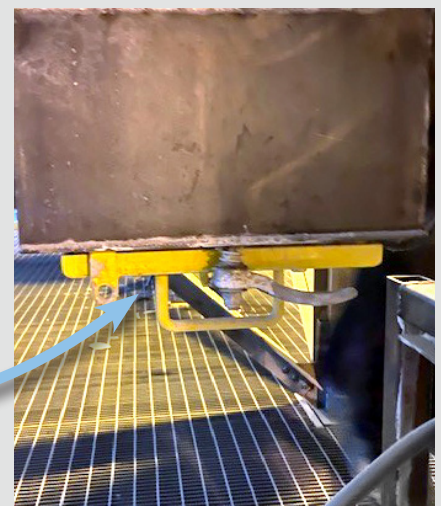


FEATURES & BENEFITS

- Bolt-free design
- Dust-tight seal
- Never-seize door handles
- Quick access for inspection or pluggage clean-out
- *Zero spillage* – even when door is mounted upside-down!
- Saves money – huge time & labor savings based on faster access & less spillage to clean
- Greatly enhances employee safety

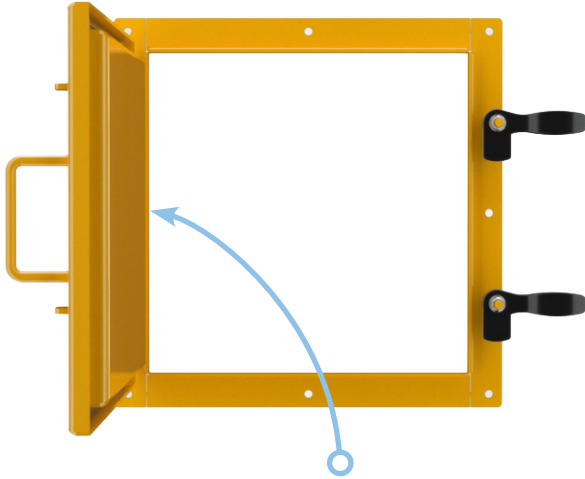
“Truly amazing!!

*We have ZERO spillage from our new screw conveyor doors — and they're **mounted upside-down!** We are moving -250 mesh trouna finished product with no more headaches.”*

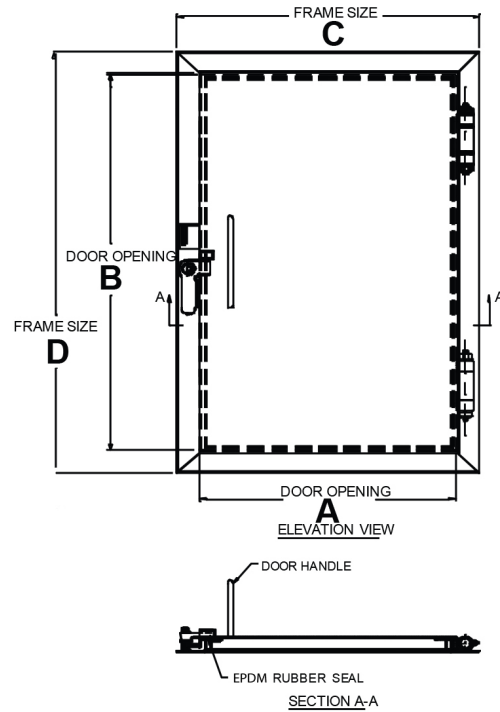


COMMON DOOR SIZES

- 14" x 7"
- 18" x 24"
- 12" x 12"
- 24" x 24"
- 12" x 18"
- 24" x 18"
- 18" x 18"
- Custom sizes available



Benetech's Premium Plus & Premium doors include an optional deflector pan which creates a flat interior surface when the door is closed ensuring less dust accumulation on the frame.



DIMENSIONS

	BD-1212	BD-1218	BD-1818	BD-1824	BD-2418	BD-2424
A	12"	12"	18"	18"	24"	24"
B	12"	18"	18"	24"	18"	24"
C	16"	16"	22"	22"	28"	28"
D	16"	22"	22"	28"	22"	28"



2023-06



Quality Conveyor Solutions
971-B Russell Drive
Salem, VA. 24153

(540) 427-7705
<https://qualityconveyorsolutions.com/>
info@qualityconveyorsolutions.com